



User Manual

Wine Cellar

MODEL: CCWT060MB
CCWT080MB
CCWT100MB
CCWT120MB

1. READ these instructions carefully before installing and operating the appliance. Keep them for further reference.
2. Record in the space below the "SERIAL/MODEL NUMBER" found on the back or bottom of your appliance and retain this information for future reference.

SERIAL NUMBER:

MODEL NUMBER:

DATE OF PURCHASE:

Save and staple your sales receipt to your manual for warranty coverage.

CONTENTS

SAFETY INFORMATION

Important Safety Instructions.....	3
Grounding Instructions.....	4

SET UP & USE

Parts & Features.....	5-6
Installation Guide.....	7
Operation Guide.....	8
Benefits of Thermal Electric Cooling.....	8

CLEANING & CARE.....9

TROUBLE SHOOTING & WARRANTY.....10

Before You Call For Service.....	10
Customer Service.....	10
Troubleshooting.....	10
Limited Warranty.....	11

SAFETY INFORMATION



DANGER

DANGER - Immediate hazards which **WILL** result in severe personal injury or death



WARNING

WARNING - Hazards or unsafe practices which **COULD** result in severe personal injury or death



CAUTION

CAUTION - Hazards or unsafe practices which **COULD** result in minor personal injury

IMPORTANT SAFETY INSTRUCTIONS



WARNING

When using electrical appliances, basic safety precautions should be followed, including the following:

READ ALL INSTRUCTIONS BEFORE USING THE UNIT

1. Read all of the instructions before using this appliance.
2. This wine cellar must be properly installed in accordance with the installation instructions before it is used. See grounding instructions in the installation section.
3. Never unplug your wine cellar by pulling on the power cord. Always grasp the plug firmly and pull straight out from the outlet.
4. Repair or replace immediately, all electric service cords that have become frayed or otherwise damaged. Do not use a cord that shows cracks or abrasion damage along its length, the plug or the connector end.
5. Unplug your wine cellar before cleaning or before making any repairs.
NOTE: If for any reason this product requires service, we strongly recommend that a certified technician performs the service.
6. If your wine cellar is not being used, we recommend that you remove the door and leave the shelves in place. This will reduce the possibility of danger to children.
7. This wine cellar should not be recessed or built-in an enclosed cabinet. It is designed for freestanding installation only.
8. Do not operate your wine cellar in the presence of explosive fumes.
9. Do not store foods in wine cellar as interior temperature may not be cool enough to prevent spoilage.

SAVE THESE INSTRUCTIONS

HOUSEHOLD USE ONLY



DANGER

Risk of child entrapment. Before you throw away your old refrigerator or freezer, take off the doors. Leave the shelves in place so that children may not easily climb inside

SAFETY INFORMATION

GROUNDING INSTRUCTIONS

ELECTRICAL REQUIREMENTS

This appliance must be grounded. In the event of an electrical short circuit, grounding reduces risk of electric shock by providing an escape wire for the electric current. The cord provided with this appliance is equipped with a grounding wire and a grounding plug. The plug must be plugged into an outlet that is properly installed and grounded.

Avoid the use of three prong adapters or cutting off the third grounding prong in order to accommodate a two prong outlet. This is a dangerous practice since it provides no effective grounding for the refrigerator and may result in shock hazard.

WARNING

Improper use of the grounding plug can result in a risk of electric shock.

Consult a qualified electrician or serviceman if:

- 1) The grounding instructions are not completely understood.
- 2) You are unsure that the appliance is properly grounded.
- 3) You have any questions about the grounding or electrical instructions.

POWER SUPPLY CORD

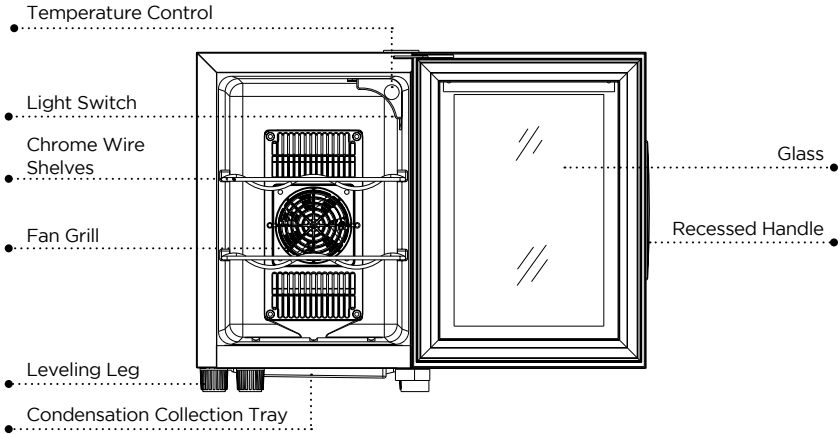
1. Avoid the use of an extension cord because of potential safety hazards under certain conditions. Have a qualified electrician or serviceman to install an outlet near the appliance.
2. If it is absolutely necessary to use longer cord sets or an extension cord, extreme care must be exercised.
 - a) Use only a grounding type 3-wire extension cord that has a 3-blade grounding plug and a 3-slot receptacle that will accept the plug on the appliance.
 - b) The marked electrical rating of the cord set or extension cord must equal to or greater than the electrical rating of the appliance. The longer cord should be arranged so that it will not drape over the counter top or table top where it can be pulled on by children or tripped over unintentionally.

NOTE: Neither W Appliance nor the dealer can accept any liability for damage to the product or personal injury resulting from failure to observe the electrical connection procedures.

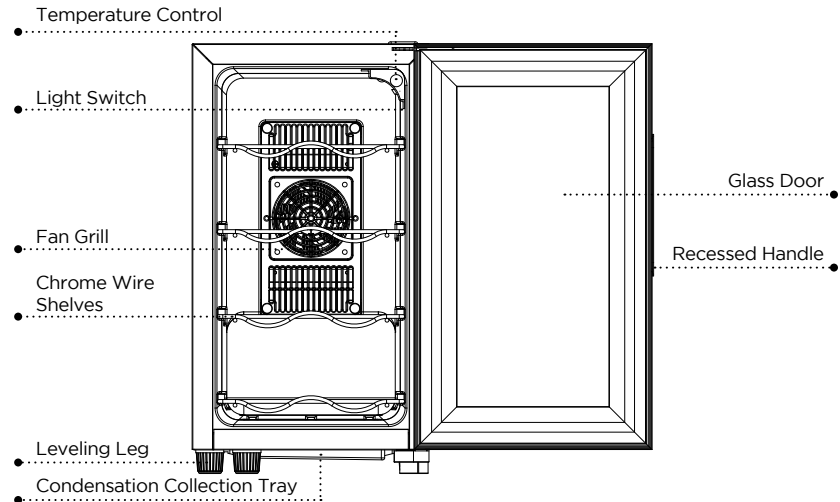
SET UP & USE

PARTS & FEATURES

Model	Bottle Capacity	Number of Shelves	Temperature Range
CCWT060MB	6	2	46° - 66°F



Model	Bottle Capacity	Number of Shelves	Temperature Range
CCWT080MB	8	4	46° - 66°F



SET UP & USE

PARTS & FEATURES

Model	Bottle Capacity	Number of Shelves	Temperature Range
CCWT100MB	10	4	54° - 66°F

● Temperature Control

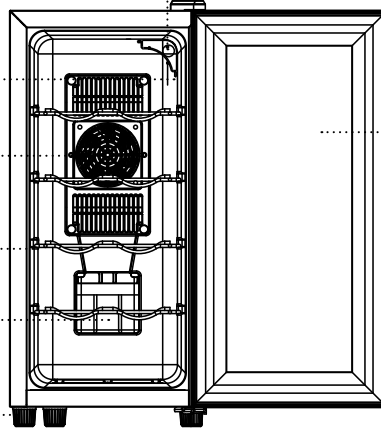
● Light Switch

● Fan Grill

● Chrome Wire Shelves

● Condensation
Collection Tray

● Leveling Leg



● Glass Door

● Recessed Handle

Model	Bottle Capacity	Number of Shelves	Temperature Range
CCWT120MB	12	5	54° - 66°F

● Temperature Control

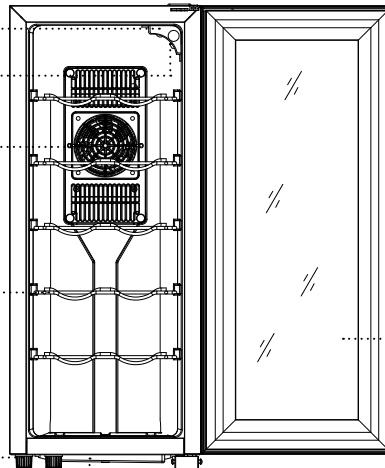
● Light Switch

● Fan Grill

● Chrome Wire Shelves

● Leveling Leg

● Condensation Collection Tray



● Recessed Handle

● Glass Door

SET UP & USE

INSTALLATION GUIDE

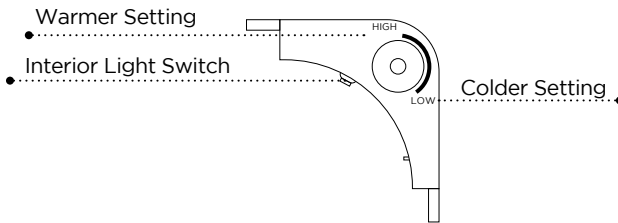
1. Unpack your wine cellar by removing all packaging materials like carton, base, foams, adhesive tape, etc.
2. Remove all accessories, internal packaging material used to hold shelves, ice tray, etc. in place.
3. Clean the remains of all adhesive tap used and remove all printed material supplied.
4. Install the wine cellar in a convenient location away from extreme heat and cold. Allow sufficient clearance between the wine cellar and side wall so the door(s) will open without obstruction. Wine cellar is not designed for recessed or built-in installation.
5. The floor on which the wine cellar should be placed must be flat, hard, solid, and even. The wine cellar should not be placed on any soft material such as foam, plastic, etc.
6. To level your wine cellar, use the two leveling legs in the rear and one in the front left of your wine cellar. Adjust by turning the legs counter clockwise to raise or clockwise to lower your wine cellar. The door will close easier if the leveling legs are extended.
NOTE: The foot that is part of the door hinge bracket is not adjustable.
7. The following are recommended minimum clearances around the wine cellar for proper air circulation:
Sides: 2" (50mm)
Top: 4" (100mm)
Back: 2" (50mm)
Proper air circulation will help your wine cellar work at maximum efficiency.

NOTE: Allow enough space in the front of the unit to open door to at least 120°.

SET UP & USE

OPERATION GUIDE

1. Plug in the wine cooler to power the unit on.
2. You may choose a temperature setting for your wine cooler within the range of 46° to 66° Fahrenheit or 54° to 66° Fahrenheit based on the model you purchased (Refer to pages 5 and 6). The temperature of your wine cooler can be set by adjusting the temperature control knob located in the upper right hand corner of the interior of your unit. The word HIGH is for warmer setting while LOW is for colder setting. .



Please note that the actual interior cabinet temperature in a thermal electric unit is dependent on the ambient (room) temperature. You may set the cabinet temperature within the operational range but due to high ambient temperature the unit may not reach the selected temperature.

As an example, when the ambient temperature is 77°F, the lowest interior cabinet temperature that can be reached is 50-52°F. When the ambient temperature is 72°F, the lowest interior cabinet temperature that can be reached is 46-48°F.

NOTE: When the ambient (room) temperature is below the set temperature, the wine cooler will not operate until the ambient temperature increases higher than the set temperature.

3. Allow the wine cooler to operate empty for approximately one hour. This should allow the unit to reach the desired temperature.
4. Fill the wine cooler with your choice of wine bottles. Allow 1-2 hours of operation to reach the desired temperature.
5. Your wine cooler has a light to display your wine bottles. The manually operated light switch is located on the underside of the temperature control assembly located in the upper right hand corner of the interior of your unit.

BENEFITS OF THERMAL ELECTRIC COOLING

Thermal Electric or semiconductor technology is an environmentally friendly cooling process which does not use any CFC, HCFC or HCF-type of refrigerants which are harmful to the environment.

The absence of a compressor reduces the noise and vibration usually associated with refrigerated appliances.

CARE AND CLEANING

CLEANING AND MAINTENANCE

Warning: To avoid electric shock always unplug your wine cellar before cleaning. Ignoring this warning may result in death or injury.

Caution: Before using cleaning products, always read and follow manufacturer's instructions and warnings to avoid personal injury or product damage.

General:

- Prepare a cleaning solution of 3-4 tablespoons of baking soda mixed with warm water. Use sponge or soft cloth, dampened with the cleaning solution to wipe down your wine cellar.
- Rinse with clean warm water and dry with a soft cloth.
- Do not use harsh chemicals, abrasives, ammonia, chlorine bleach, concentrate detergents, solvents or metal scouring pads. SOME of these chemicals may dissolve, damage and / or discolor your wine cellar.

Power Interruptions

Occasionally there may be power interruptions due to thunderstorms or other causes. Remove the power cord from AC outlet when a power outage occurs. When power has been restored, replug power cord to AC outlet.

Vacation and Moving Care

For long vacations or absences, unplug the unit, empty contents from wine cellar and clean the wine cellar and door gaskets according to "General Cleaning" section. Prop doors open, so air can circulate inside. When moving always move the wine cellar vertically. Do not move the unit lying on its side.

TROUBLESHOOTING & WARRANTY

BEFORE YOU CALL FOR SERVICE

IF THE UNIT FAILS TO OPERATE:

- A) Check to make sure that the unit is plugged in securely. If it is not, remove the plug from the outlet, wait 10 seconds and plug it in again securely.
- B) Check for a blown circuit fuse or a tripped main circuit breaker. If these seem to be operating properly, test the outlet with another appliance.

IF NONE OF THE ABOVE SOLVES THE PROBLEM, CONTACT A QUALIFIED TECHNICIAN. DO NOT TRY TO ADJUST OR REPAIR THE OVEN YOURSELF.

CUSTOMER SERVICE

IMPORTANT

DO NOT RETURN THIS PRODUCT TO THE STORE

If you have a problem with this product, please contact the W Appliance Co. Customer Satisfaction Center at 1-855-855-0294.

**DATED PROOF OF PURCHASE, MODEL # AND SERIAL #
REQUIRED FOR WARRANTY SERVICE**

TROUBLESHOOTING

Troubleshoot your problem by using the chart below. If the unit still does not work properly, contact W Appliance Co. customer service center or the nearest authorized service center. Customer must never troubleshoot internal components.

SYMPTOMS	POSSIBLE CAUSE	SOLUTIONS
The wine cooler does not work.	There is a power failure. A circuit breaker has activated.	Ensure the cooler is plugged in and the power socket is turned on. Reset circuit breaker.
Wine cooler is not reaching the desired temperature	The cooler is placed too close to a heat source. No sufficient ventilation. The door is opened too frequently or for a long period of time.	Keep the cooler away from sunshine or other heat sources. Place the wine cooler in good ventilation and keep any items away from the fans. Close the door tightly and do not open the door too frequently or for a long period of time.
Frost forming in the wine cooler	Too much humidity. The ambient temperature is too low.	Unplug to defrost, plug again after the frost thaws.

TROUBLESHOOTING & WARRANTY

LIMITED WARRANTY

Commercial Cool brand is used under license. Any repair, replacement, or warranty service, and all questions about this product should be directed to W Appliance Co. at **1 (855) 855-0294** from the USA or Puerto Rico.

W Appliance Co. warrants to the original purchaser that the product will be free from defects in material, parts and workmanship for the period designated for this product. The warranty commences the day the product is purchased and covers up to a period of **1 year (12 months) for labor/1 year (12 months) for parts (manufacturing defects only)/carry in service.**

W Appliance Co. agrees that it will, at its option, replace the defective product with either a new or remanufactured Wine Cellar equivalent to your original purchase during the warranty period.

Exclusions: This warranty does not apply to the below:

1. If the appearance or exterior of the product has been damaged or defaced, altered or modified in design or construction.
2. If the product original serial number has been altered or removed or cannot be readily determined.
3. If there is damaged due to power line surge, user damage to the AC power cord or connection to improper voltage source.
4. If damage is due to general misuse, accidents or acts of God.
5. If repair attempts are done by unauthorized service agents, use of parts other than genuine parts or parts obtained from persons other than authorized service companies.
6. On units that have been transferred from the original owner.
7. On products that have been purchased as refurbished, like new, second-hand, in a "As-Is" or "Final Sale" terms.
8. To products used in a commercial or rental setting.
9. To products used in settings other than ordinary household use or used other than in accordance with the provided instructions.
10. To damages for service calls for improper installations.
11. To glass or replaceable light bulbs or parts and other accessory items that are included with the unit.
12. Transportation and shipping costs associated with the replacement of the unit.
13. Food loss for loss due to product failure or delay in service, repair or replacement.
14. Service calls to instruct you how to use your Wine Cellar.

15. Service calls to repair or replace the house fuse, reset the circuit breaker or correct the wiring in the house.

REPAIR OR REPLACEMENT AS PROVIDED UNDER THIS WARRANTY IS THE EXCLUSIVE REMEDY OF THE CUSTOMER; W Appliance Co. SHALL NOT BE LIABLE FOR ANY INCIDENTAL OR CONSEQUENTIAL DAMAGES FOR BREACH OF ANY EXPRESS OR IMPLIED WARRANTY ON THIS PRODUCT, EXCEPT TO THE EXTENT PROHIBITED BY APPLICABLE LAW. ANY IMPLIED WARRANTY OF MERCHANTABILITY OF FITNESS FOR A PARTICULAR PURPOSE ON THIS PRODUCT IS LIMITED TO THE DURATION OF THE WARRANTY.

Some states do not allow the exclusion or limitations of incidental or consequential damages, or limitations on how long the warranty lasts. In these cases the above exclusions or limitations may not apply to you. This warranty gives you specific legal rights and you may also have other rights which vary from state to state.

Obtaining Service: To obtain service, product literature, supplies or accessories please call **1 (855) 855-0294** to create a ticket for exchange/repair. Please make sure to provide the date of purchase, model number and a brief description of the problem. Our customer service representative will contact you or send detailed return instructions.

W Appliance Co. does not warrant that the appliance will work properly in all environmental conditions, and makes no warranty and representation, either implied or expressed, with respect to the quality, performance, merchantability, or fitness for a particular purpose other than the purpose identified within this user's manual. W Appliance Co. has made every effort to ensure that this user's manual is accurate and disclaims liability for any inaccuracies or omissions that may have occurred. Information in this user's manual is subject to change without notice and does not represent a commitment on the part of W Appliance Co.. W Appliance Co. reserves the right to make improvements to this user's manual and/or to the products described in this user's manual at any time without notice. If you find information in this manual that is incorrect, misleading, or incomplete, please contact us at **1-855-855-0294**.

W Appliance Co.,
New York, NY 10018



© 2018 Commercial Cool is a W Appliance Company.
All Rights Reserved.